

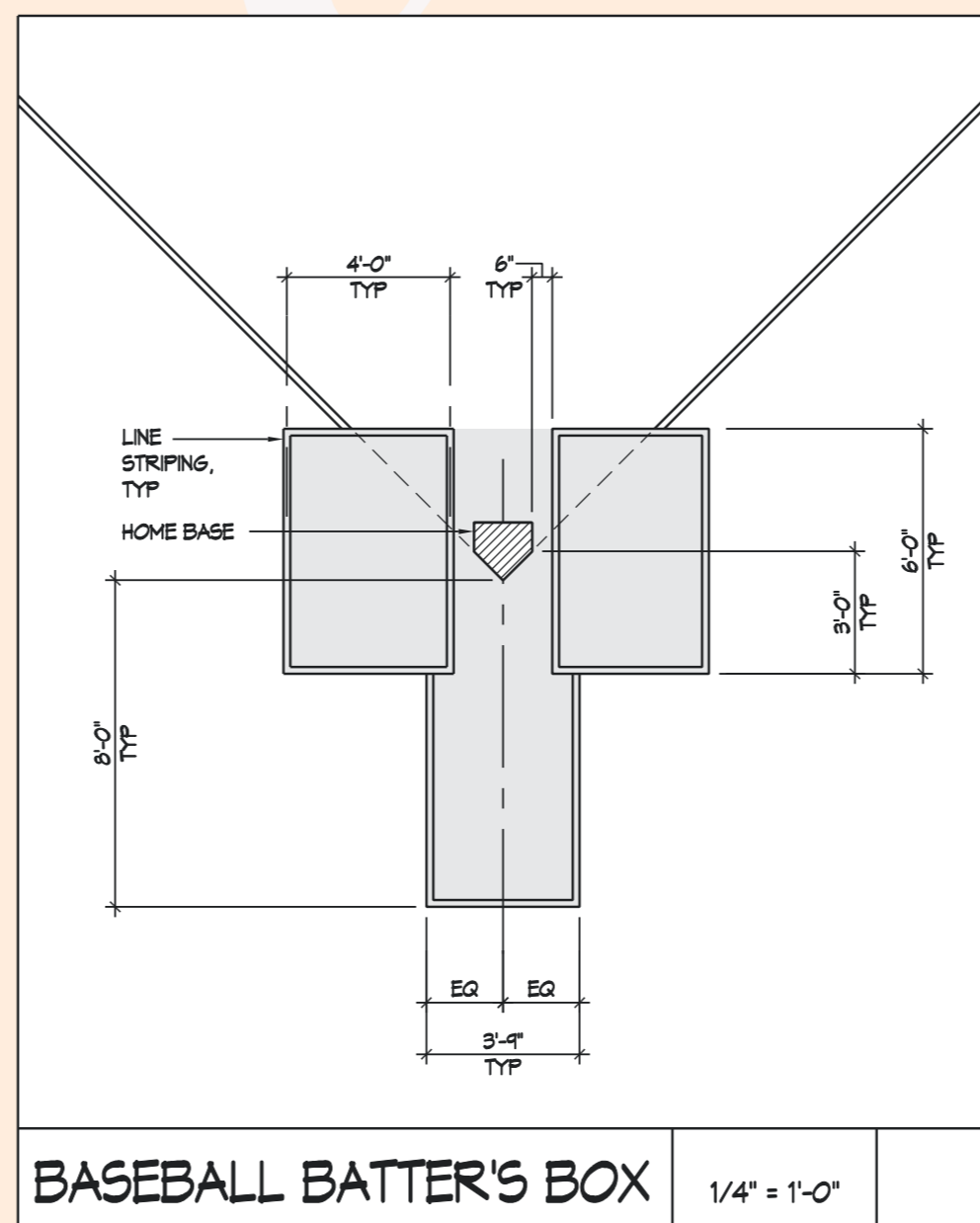
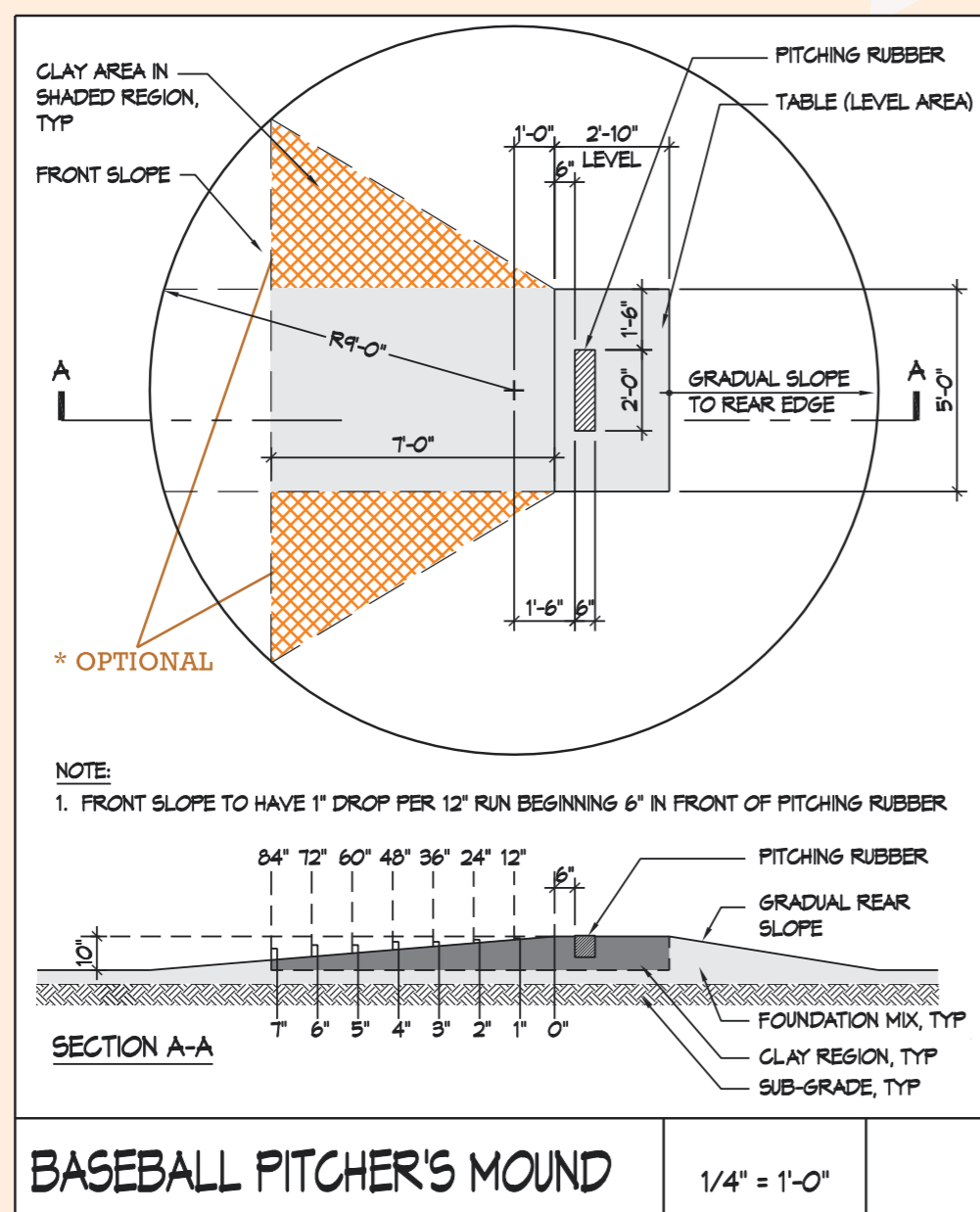
2 1/2"

### APPROXIMATE NUMBER OF BAGS

	TABLE	FRONT SLOPE	WINGS (2 TOTAL) * OPTIONAL	TOTAL AREA
PRO / COLLEGE / H.S. 10" MOUND - 4" DEPTH	14 BAGS	40 BAGS	25 BAGS	79 BAGS
LITTLE LEAGUE 6" MOUND - 3" DEPTH	3 BAGS	15 BAGS	10 BAGS	28 BAGS
SOFTBALL PITCHING CIRCLE	26 BAGS AT 4" DEPTH			
HOMEPLATE BATTER'S BOX	16 BAGS FOR EACH SIDE AT 4" DEPTH			
HOMEPLATE CATCHER'S BOX	14 BAGS AT 4" DEPTH			



10060 DAWSON CANYON ROAD, CORONA, CA 92883 • (951) 667-6106 • FAX (951) 667-6102 • WWW.GAILMATERIALS.NET

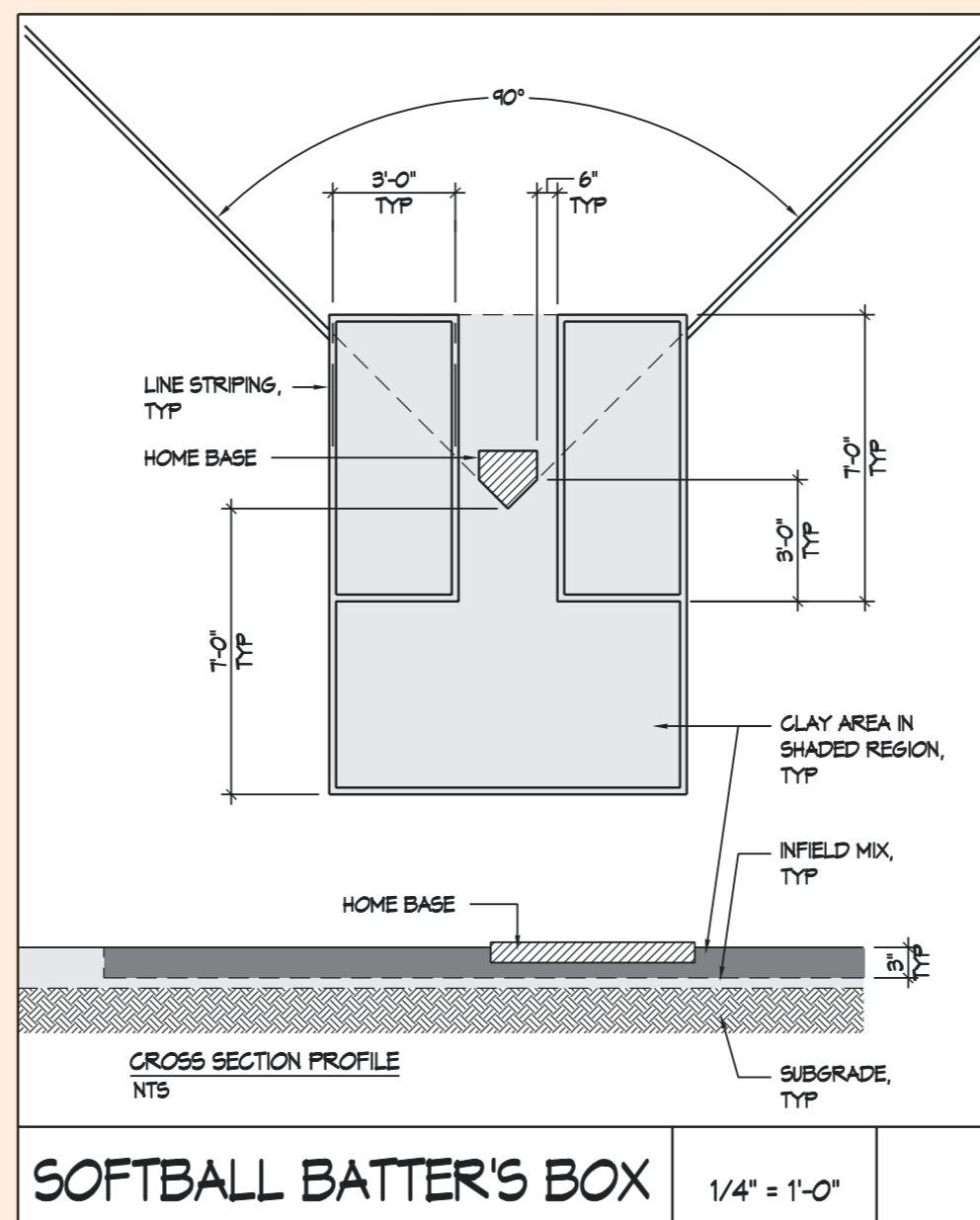
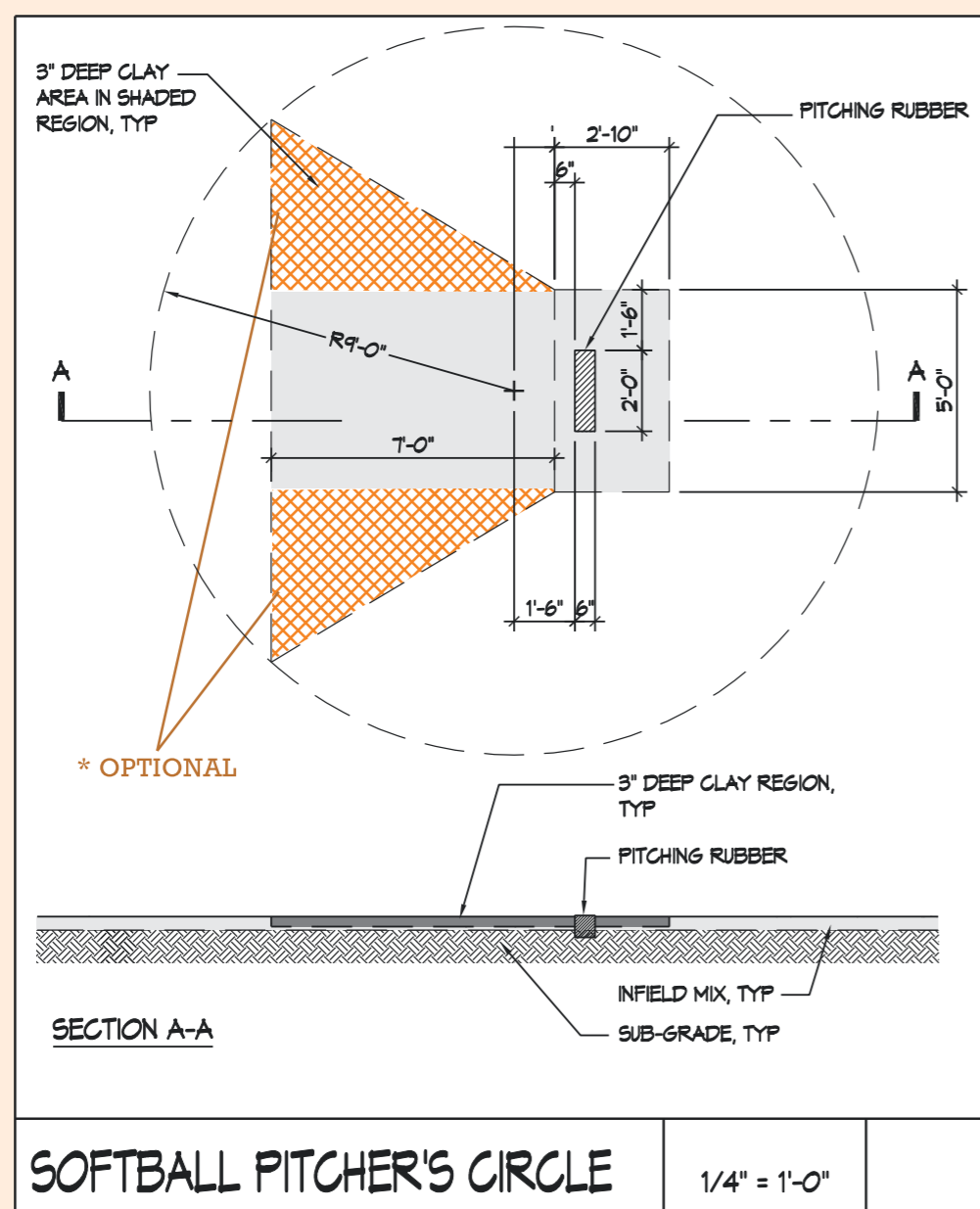


### INSTALLATION

1. Pro Gold Premium Mound & Homeplate Mix shall consist of screened 2mm minus clay soil & premoistened as produced by Gail Materials.

2. For new installations place Pro Gold Mound Foundation Mix to build the base and shape of the mound, use Pro Gold Premium Mound & Homeplate Mix in the shaded areas as illustrated.

3. Proper moisture of both the Pro Gold Mound Foundation Mix & Pro Gold Premium Mound & Homeplate Mix is critical at the time of installation and must be maintained after installed. The use of a mound tarp will correctly balance moisture of the Pro Gold Premium Mound & Homeplate Mix.



**GAIL MATERIALS**



# 50 lbs.

